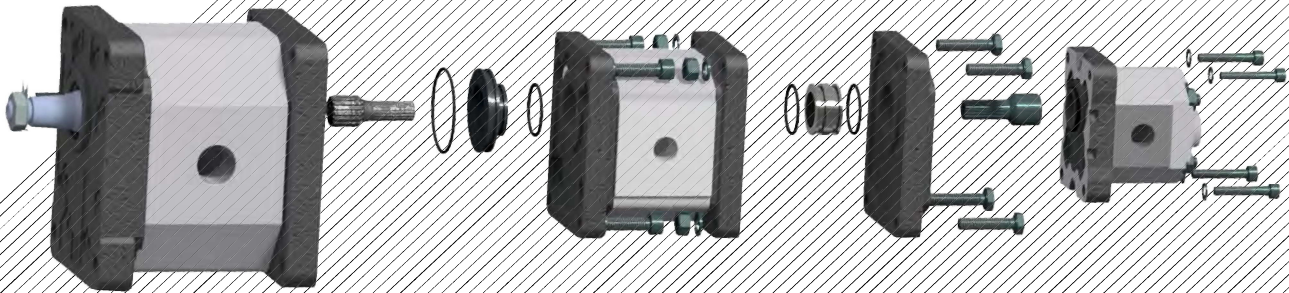
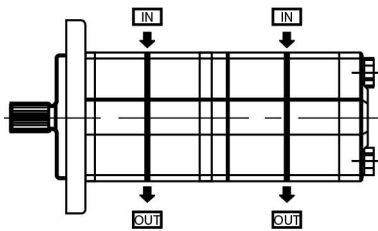


## MULTIPLE PUMPS

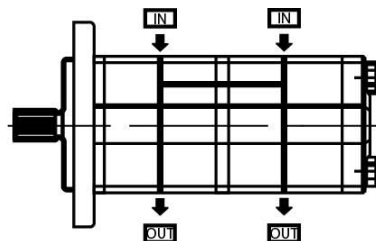


The VNKBM pumps can be easily transformed in multiple units. All drive shafts are pre-arranged and have a splined end according DIN 5480. The first unit must always be the same size or bigger than following units. The features and performances are the same of the corresponding single units: only in the case of simultaneous operating you have to verify that the inlet torque is lower than the max. transmissible by the drive shaft. Finally to assembly the multiple pump you need to order bolts of the right length.

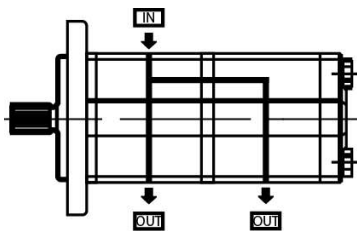
### Standard Version



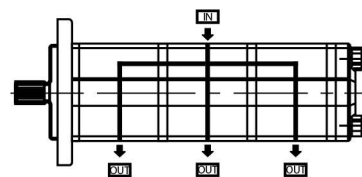
S



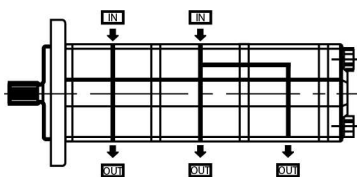
H



J



W



R

S- two inlet and two outlet (separated type)

H- two inlet and two outlet (common type)

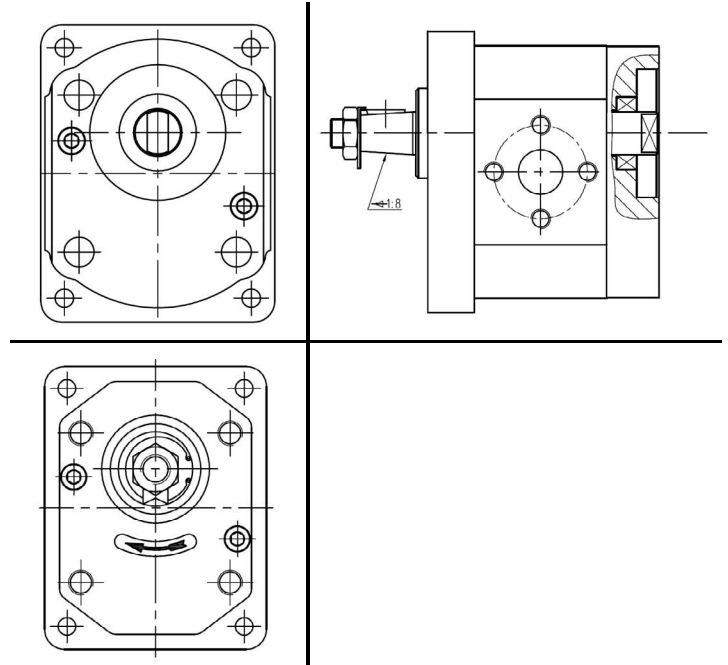
J- one inlet and two outlet

W- one inlet and three outlet

R- two inlet and three outlet



# VNKBMD - DRIVER PUMP



## HOW TO ORDER

| Multiple pump | Group | Size | Shaft * | Flange * | Inlet port * | Outlet port * | Rotation | Standard Version |
|---------------|-------|------|---------|----------|--------------|---------------|----------|------------------|
|---------------|-------|------|---------|----------|--------------|---------------|----------|------------------|

|        |   |        |    |    |
|--------|---|--------|----|----|
| VNKBMD | 3 | → 25   |    |    |
|        | 2 | → 4 30 |    |    |
|        | 1 | 1.1    | 6  | 33 |
|        |   | 1.3    | 8  | 39 |
|        |   | 1.6    | 10 | 46 |
|        |   | 1.8    | 12 | 50 |
|        |   | 2.1    | 14 | 55 |
|        |   | 2.7    | 16 | 63 |
|        |   | 3.2    | 18 | 70 |
|        |   | 3.7    | 20 | 80 |
|        |   | 4.2    | 23 | 90 |
|        |   | 5      | 25 |    |
|        |   | 5.8    | 30 |    |
|        |   | 7      |    |    |
| 8      |   |        |    |    |

\* see specifications of shafts, flanges and ports in pages 42, 43, 44, 45, 46.

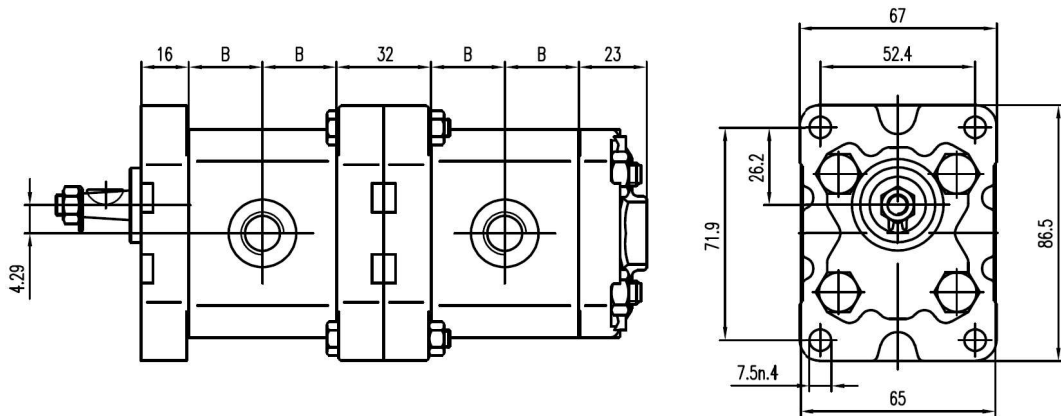
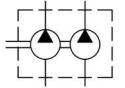
|   |                   |   |
|---|-------------------|---|
| C | Clockwise         | S |
| A | Counter clockwise | H |
|   |                   | J |
|   |                   | W |
|   |                   | R |



## VNKBMD GROUP 1



**VNK1/1-S**



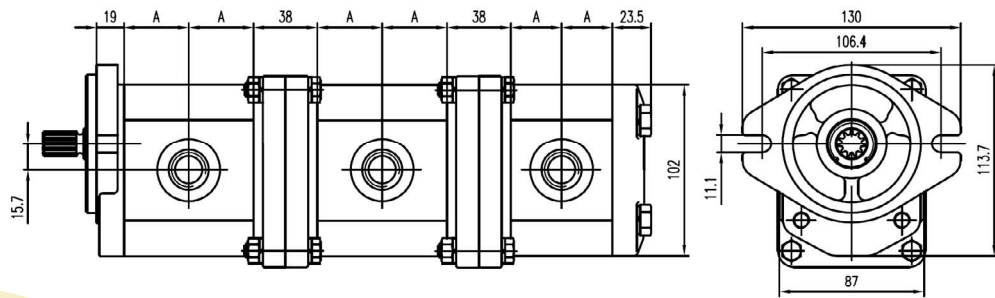
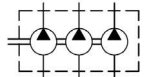
| Type                 | Displacement<br>cm <sup>3</sup> /rev | Max. Pressure |     |     | Max. Speed<br>r/min | Min. Speed<br>r/min | Dimensions |
|----------------------|--------------------------------------|---------------|-----|-----|---------------------|---------------------|------------|
|                      |                                      | P1            | P2  | P3  |                     |                     | B<br>mm    |
| VNKBMD-1-1,1-1-1-*-* | 1,1                                  | 250           | 270 | 290 | 6000                | 1000                | 18,5       |
| VNKBMD-1-1,3-1-1-*-* | 1,3                                  | 250           | 270 | 290 | 6000                | 1000                | 19         |
| VNKBMD-1-1,6-1-1-*-* | 1,6                                  | 250           | 270 | 290 | 6000                | 1000                | 19,5       |
| VNKBMD-1-1,8-1-1-*-* | 1,8                                  | 250           | 270 | 290 | 6000                | 1000                | 20         |
| VNKBMD-1-2,1-1-1-*-* | 2,1                                  | 250           | 270 | 290 | 6000                | 1000                | 21         |
| VNKBMD-1-2,7-1-1-*-* | 2,7                                  | 250           | 270 | 290 | 6000                | 1000                | 22         |
| VNKBMD-1-3,2-1-1-*-* | 3,2                                  | 250           | 270 | 290 | 6000                | 800                 | 23         |
| VNKBMD-1-3,7-1-1-*-* | 3,7                                  | 250           | 270 | 290 | 5000                | 800                 | 24         |
| VNKBMD-1-4,2-1-1-*-* | 4,2                                  | 250           | 270 | 290 | 4500                | 800                 | 25         |
| VNKBMD-1-4,8-1-1-*-* | 4,8                                  | 230           | 250 | 270 | 4000                | 800                 | 26         |
| VNKBMD-1-5,8-1-1-*-* | 5,8                                  | 230           | 250 | 270 | 3500                | 600                 | 28         |
| VNKBMD-1-7-1-*-*     | 7                                    | 210           | 230 | 250 | 3000                | 600                 | 30         |
| VNKBMD-1-8-1-1-*-*   | 8                                    | 180           | 200 | 230 | 2500                | 600                 | 32         |



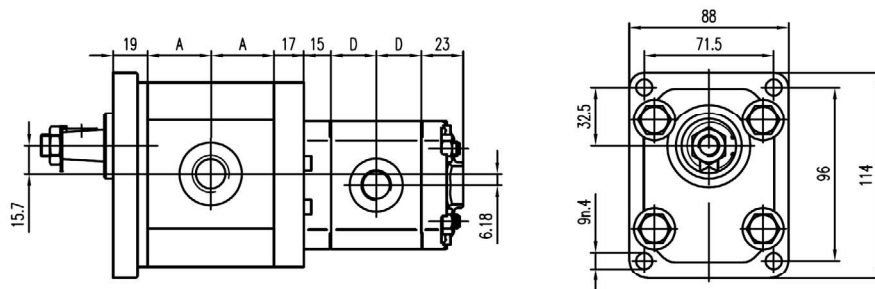
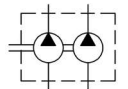
**VNKBMD GROUP 2**



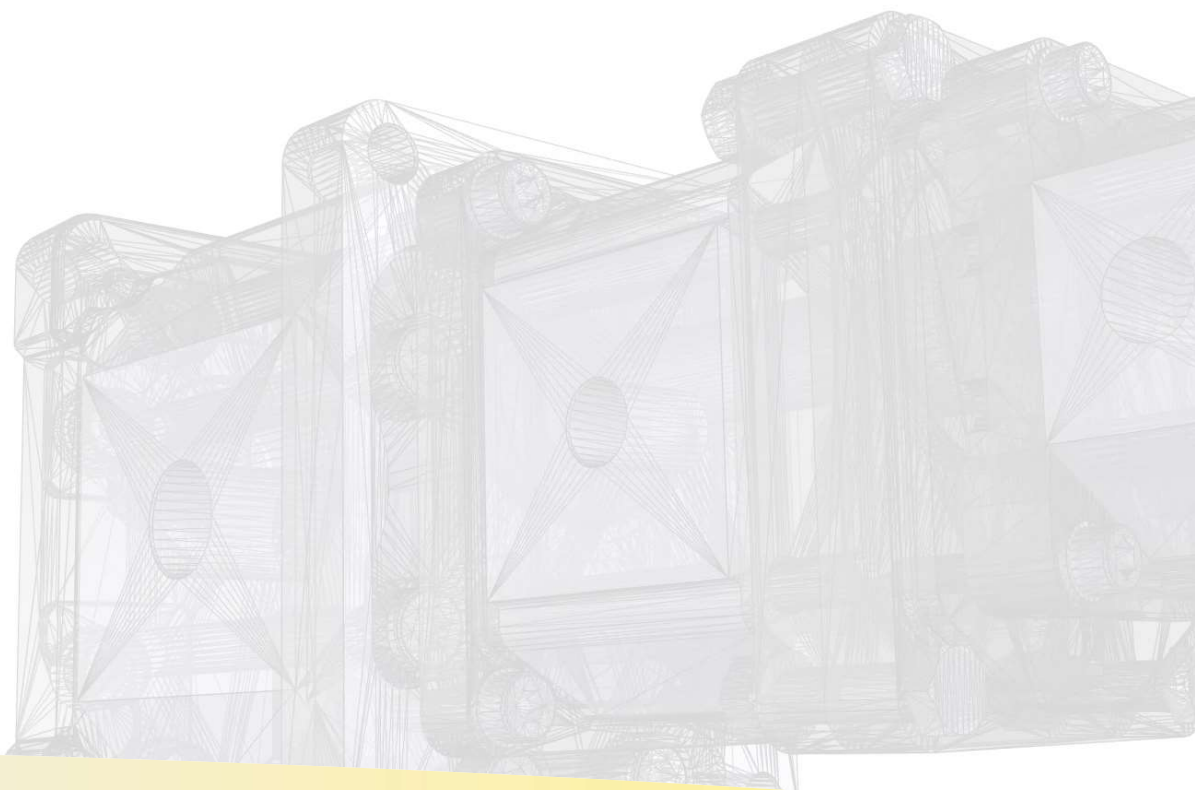
**VNK2/2/2-S**



**VNK2/1-S**



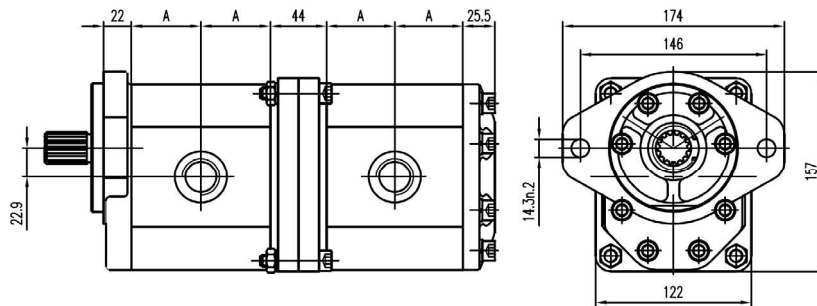
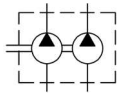
| Type               | Displacement         | Max. Pressure |     |     | Max. Speed | Min. Speed | Dimensions |
|--------------------|----------------------|---------------|-----|-----|------------|------------|------------|
|                    |                      |               |     |     |            |            | A          |
|                    | cm <sup>3</sup> /rev | P1            | P2  | P3  | r/min      | r/min      | mm         |
| VNKBMD2-4-*-*-*-*  | 4                    | 270           | 285 | 300 | 4000       | 600        | 25,3       |
| VNKBMD2-6-*-*-*-*  | 6                    | 270           | 285 | 300 | 4000       | 600        | 27         |
| VNKBMD2-8-*-*-*-*  | 8                    | 270           | 285 | 300 | 3500       | 500        | 28,6       |
| VNKBMD2-10-*-*-*-* | 10                   | 270           | 285 | 300 | 3000       | 500        | 30,3       |
| VNKBMD2-12-*-*-*-* | 12                   | 270           | 285 | 300 | 3000       | 500        | 32         |
| VNKBMD2-14-*-*-*-* | 14                   | 250           | 265 | 280 | 4000       | 500        | 33,6       |
| VNKBMD2-16-*-*-*-* | 16                   | 250           | 265 | 280 | 4000       | 500        | 35,3       |
| VNKBMD2-18-*-*-*-* | 18                   | 250           | 265 | 280 | 3600       | 400        | 37         |
| VNKBMD2-20-*-*-*-* | 20                   | 220           | 235 | 250 | 3200       | 400        | 38,6       |
| VNKBMD2-23-*-*-*-* | 23                   | 220           | 235 | 250 | 3000       | 400        | 40,3       |
| VNKBMD2-25-*-*-*-* | 25                   | 200           | 215 | 230 | 3000       | 400        | 42,8       |
| VNKBMD2-28-*-*-*-* | 28                   | 180           | 190 | 200 | 2500       | 400        | 45,3       |
| VNKBMD2-30-*-*-*-* | 30                   | 160           | 170 | 180 | 2500       | 400        | 47         |



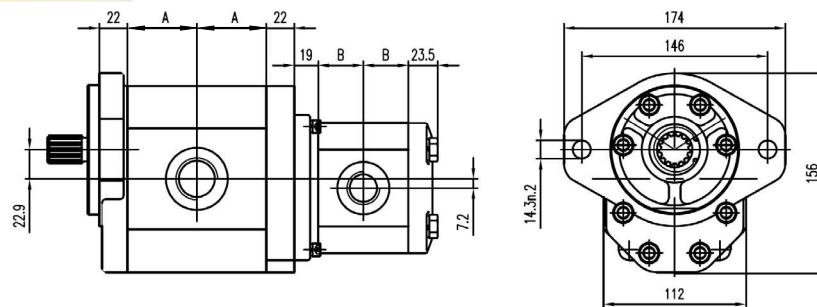
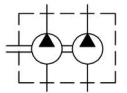
**VNKBMD GROUP 3**



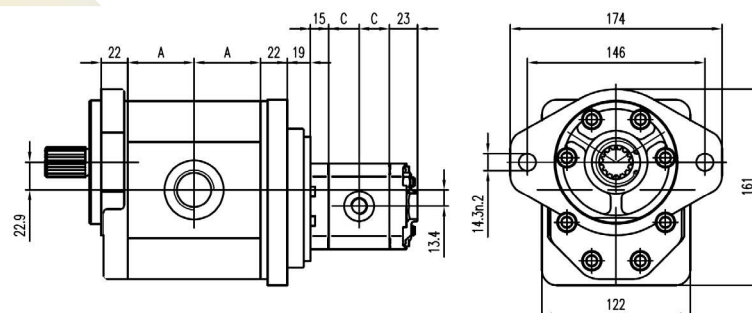
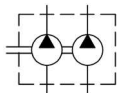
**VNK3/3-S**



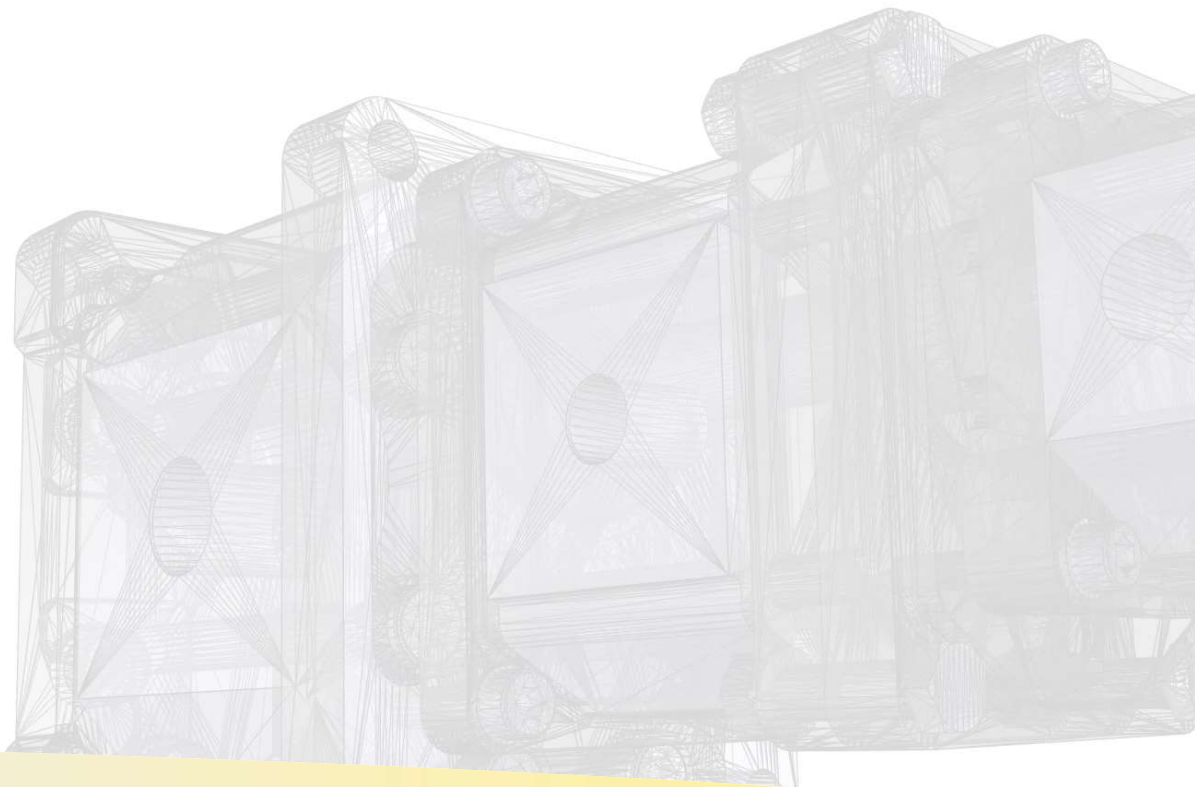
**VNK3/2-S**



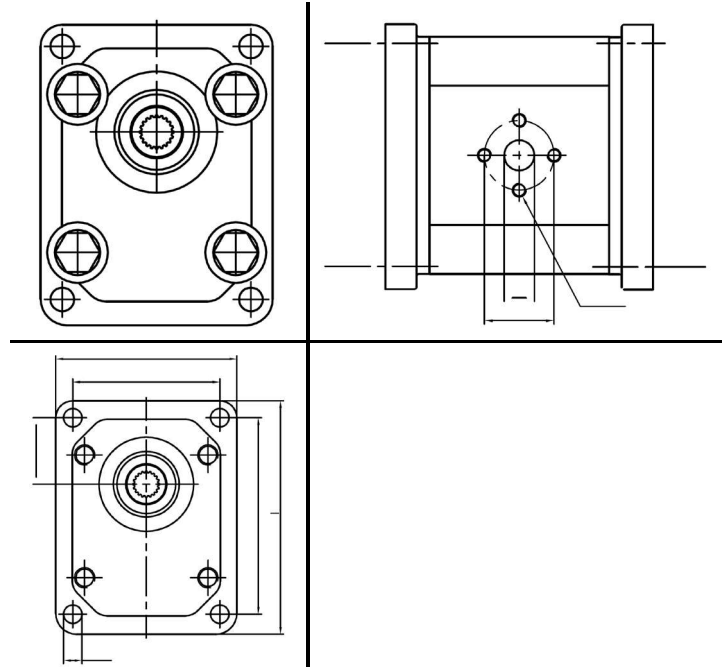
**VNK3/1-S**



| Type             | Displacement<br>cm <sup>3</sup> /rev | Max. Pressure |     |     | Max. Speed<br>r/min | Min. Speed<br>r/min | Dimensions |
|------------------|--------------------------------------|---------------|-----|-----|---------------------|---------------------|------------|
|                  |                                      | P1            | P2  | P3  |                     |                     | A<br>mm    |
| VNKBMD3-25-*-*-* | 25                                   | 260           | 290 | 300 | 3000                | 500                 | 43         |
| VNKBMD3-30-*-*-* | 30                                   | 250           | 280 | 300 | 3000                | 500                 | 46         |
| VNKBMD3-33-*-*-* | 33                                   | 250           | 280 | 300 | 3000                | 500                 | 46         |
| VNKBMD3-39-*-*-* | 39                                   | 250           | 280 | 300 | 2750                | 400                 | 49,5       |
| VNKBMD3-46-*-*-* | 46                                   | 250           | 280 | 300 | 2750                | 400                 | 52,5       |
| VNKBMD3-50-*-*-* | 50                                   | 220           | 240 | 260 | 3000                | 500                 | 54,5       |
| VNKBMD3-55-*-*-* | 55                                   | 220           | 240 | 260 | 2750                | 400                 | 56,5       |
| VNKBMD3-63-*-*-* | 63                                   | 200           | 230 | 250 | 2750                | 400                 | 60,7       |
| VNKBMD3-71-*-*-* | 71                                   | 180           | 200 | 220 | 2500                | 400                 | 64         |
| VNKBMD3-80-*-*-* | 80                                   | 180           | 200 | 220 | 2500                | 400                 | 71         |
| VNKBMD3-90-*-*-* | 90                                   | 180           | 200 | 220 | 2500                | 400                 | 80         |



# VNKBMI - INTERMEDIATE PUMP



## HOW TO ORDER

| Multiple pump | Group | Size | Inlet port * | Outlet port * | Rotation | Standard Version |
|---------------|-------|------|--------------|---------------|----------|------------------|
|---------------|-------|------|--------------|---------------|----------|------------------|

|        |   |     |    |    |
|--------|---|-----|----|----|
| VNKBMI | 3 |     |    | 25 |
|        | 2 |     | 4  | 30 |
|        | 1 | 1.1 | 6  | 33 |
|        |   | 1.3 | 8  | 39 |
|        |   | 1.6 | 10 | 46 |
|        |   | 1.8 | 12 | 50 |
|        |   | 2.1 | 14 | 55 |
|        |   | 2.7 | 16 | 63 |
|        |   | 3.2 | 18 | 70 |
|        |   | 3.7 | 20 | 80 |
|        |   | 4.2 | 23 | 90 |
|        |   | 5   | 25 |    |
|        |   | 5.8 | 30 |    |
|        |   | 7   |    |    |
|        | 8 |     |    |    |

|   |                   |   |
|---|-------------------|---|
| C | Clockwise         | S |
| A | Counter clockwise | H |
|   |                   | J |
|   |                   | W |
|   |                   | R |

\* see specifications of ports in pages 42, 43, 44, 45, 46.





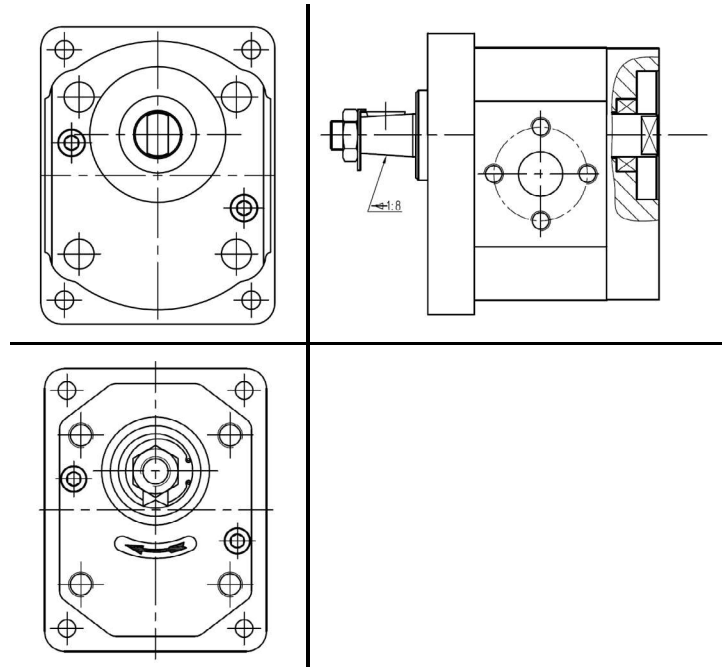
| Type                   | Displacement         | Max. Pressure |     |     | Max. Speed | Min. Speed | Dimensions |
|------------------------|----------------------|---------------|-----|-----|------------|------------|------------|
|                        |                      |               |     |     |            |            | B          |
|                        | cm <sup>3</sup> /rev | P1            | P2  | P3  | r/min      | r/min      | mm         |
| VNKBMI-1-1,1-1-1-*-*-* | 1,1                  | 250           | 270 | 290 | 6000       | 1000       | 18,5       |
| VNKBMI-1-1,3-1-1-*-*-* | 1,3                  | 250           | 270 | 290 | 6000       | 1000       | 19         |
| VNKBMI-1-1,6-1-1-*-*-* | 1,6                  | 250           | 270 | 290 | 6000       | 1000       | 19,5       |
| VNKBMI-1-1,8-1-1-*-*-* | 1,8                  | 250           | 270 | 290 | 6000       | 1000       | 20         |
| VNKBMI-1-2,1-1-1-*-*-* | 2,1                  | 250           | 270 | 290 | 6000       | 1000       | 21         |
| VNKBMI-1-2,7-1-1-*-*-* | 2,7                  | 250           | 270 | 290 | 6000       | 1000       | 22         |
| VNKBMI-1-3,2-1-1-*-*-* | 3,2                  | 250           | 270 | 290 | 6000       | 800        | 23         |
| VNKBMI-1-3,7-1-1-*-*-* | 3,7                  | 250           | 270 | 290 | 5000       | 800        | 24         |
| VNKBMI-1-4,2-1-1-*-*-* | 4,2                  | 250           | 270 | 290 | 4500       | 800        | 25         |
| VNKBMI-1-4,8-1-1-*-*-* | 4,8                  | 230           | 250 | 270 | 4000       | 800        | 26         |
| VNKBMI-1-5,8-1-1-*-*-* | 5,8                  | 230           | 250 | 270 | 3500       | 600        | 28         |
| VNKBMI-1-7-1-*-*-*     | 7                    | 210           | 230 | 250 | 3000       | 600        | 30         |
| VNKBMI-1-8-1-1-*-*-*   | 8                    | 180           | 200 | 230 | 2500       | 600        | 32         |

| Type                | Displacement         | Max. Pressure |     |     | Max. Speed | Min. Speed | Dimensions |
|---------------------|----------------------|---------------|-----|-----|------------|------------|------------|
|                     |                      |               |     |     |            |            | A          |
|                     | cm <sup>3</sup> /rev | P1            | P2  | P3  | r/min      | r/min      | mm         |
| VNKBMJ2-4-*-*-*-*   | 4                    | 270           | 285 | 300 | 4000       | 600        | 25,3       |
| VNKBMJ2-6-*-*-*-*   | 6                    | 270           | 285 | 300 | 4000       | 600        | 27         |
| VNKBMJ2-8-*-*-*-*   | 8                    | 270           | 285 | 300 | 3500       | 500        | 28,6       |
| VNKBMJ2-10-*-*-*-*  | 10                   | 270           | 285 | 300 | 3000       | 500        | 30,3       |
| VNKBMJ2-12-*-*-*-*  | 12                   | 270           | 285 | 300 | 3000       | 500        | 32         |
| VNKBMJ2-14-*-*-*-*  | 14                   | 250           | 265 | 280 | 4000       | 500        | 33,6       |
| VNKBMJ2-16-*-*-*-*  | 16                   | 250           | 265 | 280 | 4000       | 500        | 35,3       |
| VNKBMJ2-18-*-*-*-*  | 18                   | 250           | 265 | 280 | 3600       | 400        | 37         |
| VNKBMJ2-20-*-*-*-*  | 20                   | 220           | 235 | 250 | 3200       | 400        | 38,6       |
| VNKBMJ2-23-*-*-*3-* | 23                   | 220           | 235 | 250 | 3000       | 400        | 40,3       |
| VNKBMJ2-25-*-*-*-*  | 25                   | 200           | 215 | 230 | 3000       | 400        | 42,8       |
| VNKBMJ2-28-*-*-*-*  | 28                   | 180           | 190 | 200 | 2500       | 400        | 45,3       |
| VNKBMJ2-30-*-*-*-*  | 30                   | 160           | 170 | 180 | 2500       | 400        | 47         |

| Type               | Displacement         | Max. Pressure |     |     | Max. Speed | Min. Speed | Dimensions |
|--------------------|----------------------|---------------|-----|-----|------------|------------|------------|
|                    |                      |               |     |     |            |            | A          |
|                    | cm <sup>3</sup> /rev | P1            | P2  | P3  | r/min      | r/min      | mm         |
| VNKBMJ3-25-*-*-*-* | 25                   | 260           | 290 | 300 | 3000       | 500        | 43         |
| VNKBMJ3-30-*-*-*-* | 30                   | 250           | 280 | 300 | 3000       | 500        | 46         |
| VNKBMJ3-33-*-*-*-* | 33                   | 250           | 280 | 300 | 3000       | 500        | 46         |
| VNKBMJ3-39-*-*-*-* | 39                   | 250           | 280 | 300 | 2750       | 400        | 49,5       |
| VNKBMJ3-46-*-*-*-* | 46                   | 250           | 280 | 300 | 2750       | 400        | 52,5       |
| VNKBMJ3-50-*-*-*-* | 50                   | 220           | 240 | 260 | 3000       | 500        | 54,5       |
| VNKBMJ3-55-*-*-*-* | 55                   | 220           | 240 | 260 | 2750       | 400        | 56,5       |
| VNKBMJ3-63-*-*-*-* | 63                   | 200           | 230 | 250 | 2750       | 400        | 60,7       |
| VNKBMJ3-71-*-*-*-* | 71                   | 180           | 200 | 220 | 2500       | 400        | 64         |
| VNKBMJ3-80-*-*-*-* | 80                   | 180           | 200 | 220 | 2500       | 400        | 71         |
| VNKBMJ3-90-*-*-*-* | 90                   | 180           | 200 | 220 | 2500       | 400        | 80         |



# VNKBMF - FINAL PUMP



## HOW TO ORDER

| Multiple pump | Group | Size | Inlet port * | Outlet port * | Rotation | Standard Version |
|---------------|-------|------|--------------|---------------|----------|------------------|
|---------------|-------|------|--------------|---------------|----------|------------------|

|        |   |     |    |    |
|--------|---|-----|----|----|
| VNKBMF | 3 |     |    | 25 |
|        | 2 |     | 4  | 30 |
|        | 1 | 1.1 | 6  | 33 |
|        |   | 1.3 | 8  | 39 |
|        |   | 1.6 | 10 | 46 |
|        |   | 1.8 | 12 | 50 |
|        |   | 2.1 | 14 | 55 |
|        |   | 2.7 | 16 | 63 |
|        |   | 3.2 | 18 | 70 |
|        |   | 3.7 | 20 | 80 |
|        |   | 4.2 | 23 | 90 |
|        |   | 5   | 25 |    |
|        |   | 5.8 | 30 |    |
|        |   | 7   |    |    |
|        | 8 |     |    |    |

|   |                   |   |
|---|-------------------|---|
| C | Clockwise         | S |
| A | Counter clockwise | H |
|   |                   | J |
|   |                   | W |
|   |                   | R |

\* see specifications of ports in pages 45, 46.



| Type                 | Displacement         | Max. Pressure |     |     | Max. Speed | Min. Speed | Dimensions |
|----------------------|----------------------|---------------|-----|-----|------------|------------|------------|
|                      |                      |               |     |     |            |            | B          |
|                      | cm <sup>3</sup> /rev | P1            | P2  | P3  | r/min      | r/min      | mm         |
| VNKBMF-1-1,1-1-1-*-* | 1,1                  | 250           | 270 | 290 | 6000       | 1000       | 18,5       |
| VNKBMF-1-1,3-1-1-*-* | 1,3                  | 250           | 270 | 290 | 6000       | 1000       | 19         |
| VNKBMF-1-1,6-1-1-*-* | 1,6                  | 250           | 270 | 290 | 6000       | 1000       | 19,5       |
| VNKBMF-1-1,8-1-1-*-* | 1,8                  | 250           | 270 | 290 | 6000       | 1000       | 20         |
| VNKBMF-1-2,1-1-1-*-* | 2,1                  | 250           | 270 | 290 | 6000       | 1000       | 21         |
| VNKBMF-1-2,7-1-1-*-* | 2,7                  | 250           | 270 | 290 | 6000       | 1000       | 22         |
| VNKBMF-1-3,2-1-1-*-* | 3,2                  | 250           | 270 | 290 | 6000       | 800        | 23         |
| VNKBMF-1-3,7-1-1-*-* | 3,7                  | 250           | 270 | 290 | 5000       | 800        | 24         |
| VNKBMF-1-4,2-1-1-*-* | 4,2                  | 250           | 270 | 290 | 4500       | 800        | 25         |
| VNKBMF-1-4,8-1-1-*-* | 4,8                  | 230           | 250 | 270 | 4000       | 800        | 26         |
| VNKBMF-1-5,8-1-1-*-* | 5,8                  | 230           | 250 | 270 | 3500       | 600        | 28         |
| VNKBMF-1-7-1-1-*-*   | 7                    | 210           | 230 | 250 | 3000       | 600        | 30         |
| VNKBMF-1-8-1-1-*-*   | 8                    | 180           | 200 | 230 | 2500       | 600        | 32         |

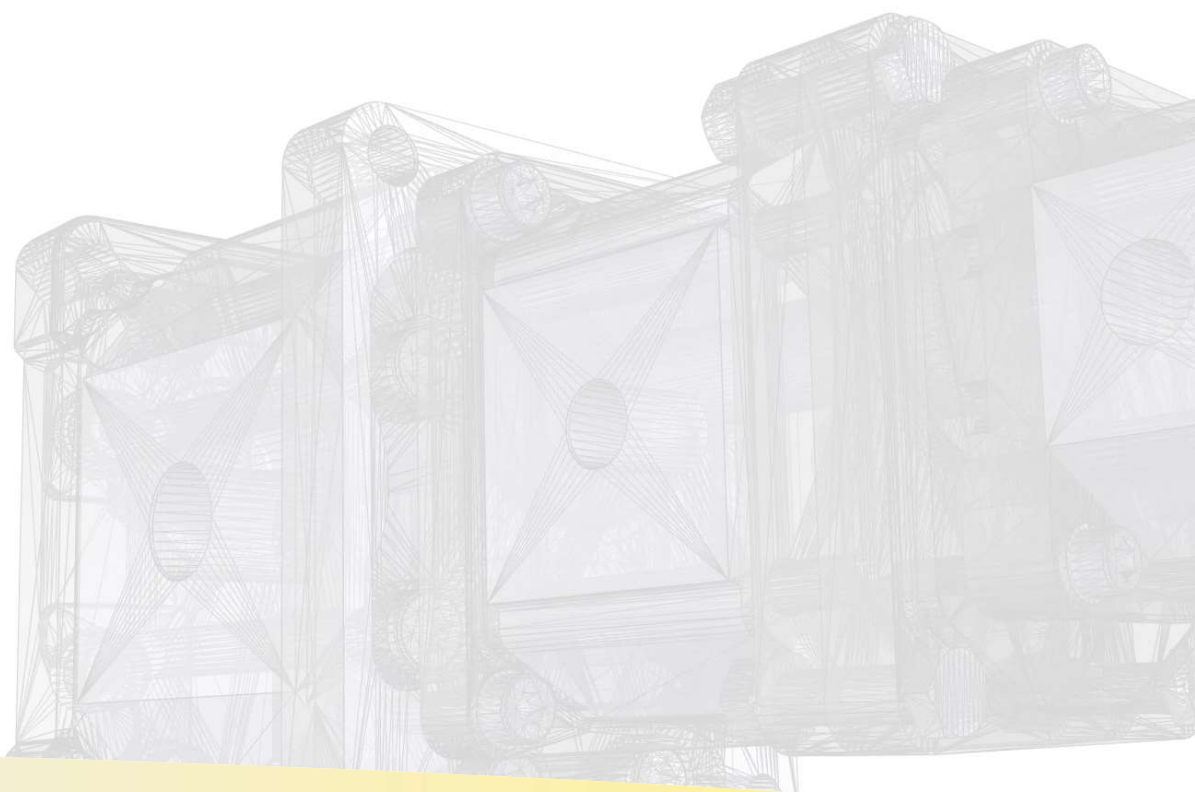
| Type             | Displacement         | Max. Pressure |     |     | Max. Speed | Min. Speed | Dimensions |
|------------------|----------------------|---------------|-----|-----|------------|------------|------------|
|                  |                      |               |     |     |            |            | A          |
|                  | cm <sup>3</sup> /rev | P1            | P2  | P3  | r/min      | r/min      | mm         |
| VNKBMF2-4-*-*-*  | 4                    | 270           | 285 | 300 | 4000       | 600        | 25,3       |
| VNKBMF2-6-*-*-*  | 6                    | 270           | 285 | 300 | 4000       | 600        | 27         |
| VNKBMF2-8-*-*-*  | 8                    | 270           | 285 | 300 | 3500       | 500        | 28,6       |
| VNKBMF2-10-*-*-* | 10                   | 270           | 285 | 300 | 3000       | 500        | 30,3       |
| VNKBMF2-12-*-*-* | 12                   | 270           | 285 | 300 | 3000       | 500        | 32         |
| VNKBMF2-14-*-*-* | 14                   | 250           | 265 | 280 | 4000       | 500        | 33,6       |
| VNKBMF2-16-*-*-* | 16                   | 250           | 265 | 280 | 4000       | 500        | 35,3       |
| VNKBMF2-18-*-*-* | 18                   | 250           | 265 | 280 | 3600       | 400        | 37         |
| VNKBMF2-20-*-*-* | 20                   | 220           | 235 | 250 | 3200       | 400        | 38,6       |
| VNKBMF2-23-*-*-* | 23                   | 220           | 235 | 250 | 3000       | 400        | 40,3       |
| VNKBMF2-25-*-*-* | 25                   | 200           | 215 | 230 | 3000       | 400        | 42,8       |
| VNKBMF2-28-*-*-* | 28                   | 180           | 190 | 200 | 2500       | 400        | 45,3       |
| VNKBMF2-30-*-*-* | 30                   | 160           | 170 | 180 | 2500       | 400        | 47         |

| Type             | Displacement         | Max. Pressure |     |     | Max. Speed | Min. Speed | Dimensions |
|------------------|----------------------|---------------|-----|-----|------------|------------|------------|
|                  |                      |               |     |     |            |            | A          |
|                  | cm <sup>3</sup> /rev | P1            | P2  | P3  | r/min      | r/min      | mm         |
| VNKBMF3-25-*-*-* | 25                   | 260           | 290 | 300 | 3000       | 500        | 43         |
| VNKBMF3-30-*-*-* | 30                   | 250           | 280 | 300 | 3000       | 500        | 45         |
| VNKBMF3-33-*-*-* | 33                   | 250           | 280 | 300 | 3000       | 500        | 46         |
| VNKBMF3-39-*-*-* | 39                   | 250           | 280 | 300 | 2750       | 400        | 49,5       |
| VNKBMF3-46-*-*-* | 46                   | 250           | 280 | 300 | 2750       | 400        | 52,5       |
| VNKBMF3-50-*-*-* | 50                   | 220           | 240 | 260 | 3000       | 500        | 54,5       |
| VNKBMF3-55-*-*-* | 55                   | 220           | 240 | 260 | 2750       | 400        | 56,5       |
| VNKBMF3-63-*-*-* | 63                   | 200           | 230 | 250 | 2750       | 400        | 60,7       |
| VNKBMF3-71-*-*-* | 71                   | 180           | 200 | 220 | 2500       | 400        | 64         |
| VNKBMF3-80-*-*-* | 80                   | 180           | 200 | 220 | 2500       | 400        | 71         |
| VNKBMF3-90-*-*-* | 90                   | 180           | 200 | 220 | 2500       | 400        | 80         |

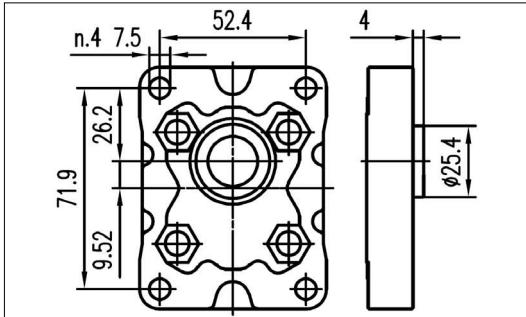


**KIT UNION**

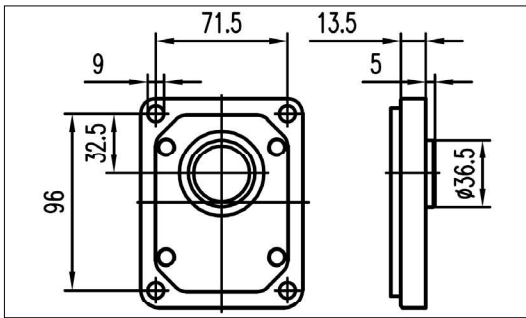
|          |                       |
|----------|-----------------------|
| VNKBMK11 | MULTIPLE PUMP KIT 1+1 |
| VNKBMK21 | MULTIPLE PUMP KIT 2+1 |
| VNKBMK22 | MULTIPLE PUMP KIT 2+2 |
| VNKBMK31 | MULTIPLE PUMP KIT 3+1 |
| VNKBMK32 | MULTIPLE PUMP KIT 3+2 |
| VNKBMK33 | MULTIPLE PUMP KIT 3+3 |



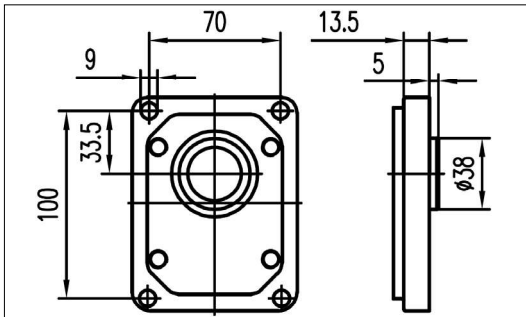
**FRONT COVERS**



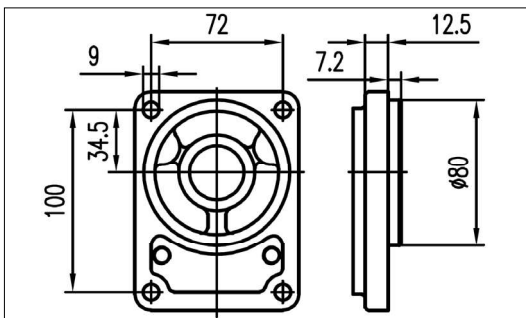
**1**



**3**

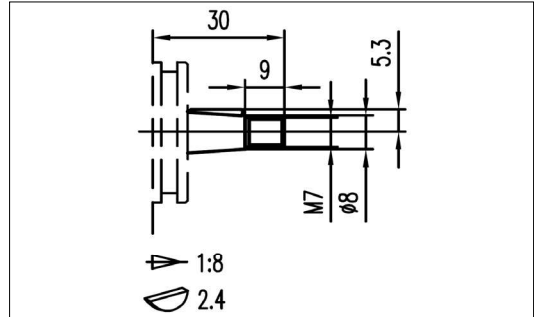


**8**



**6**

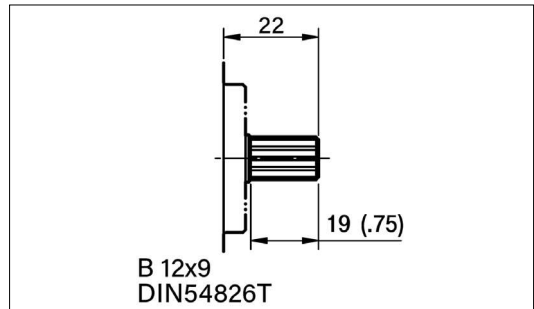
**SHAFTS**



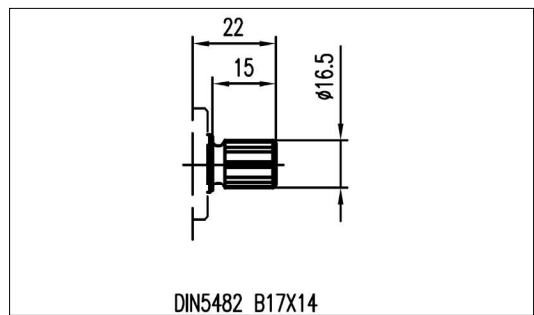
**1**

Max. Torque

20 Nm



**7**



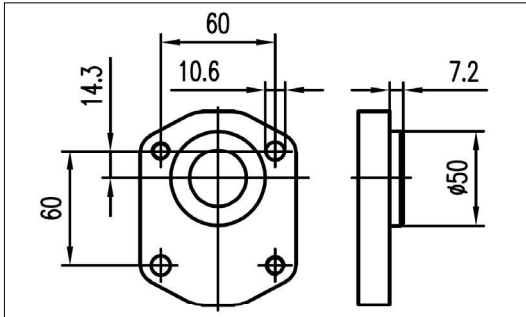
**12**

Max. Torque

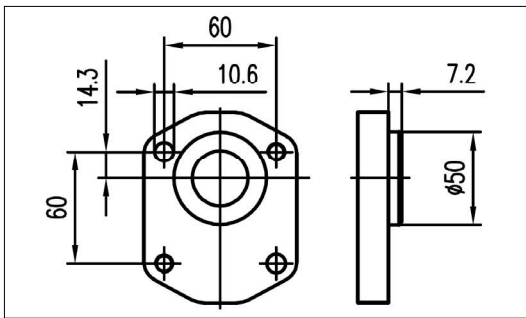
150 Nm



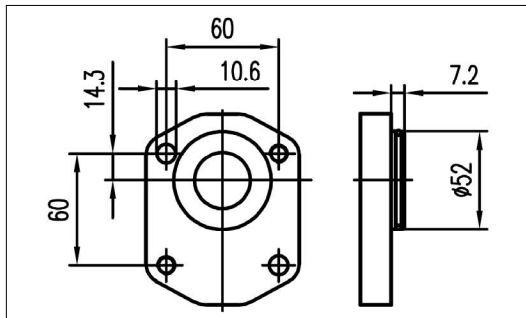
**FRONT COVERS**



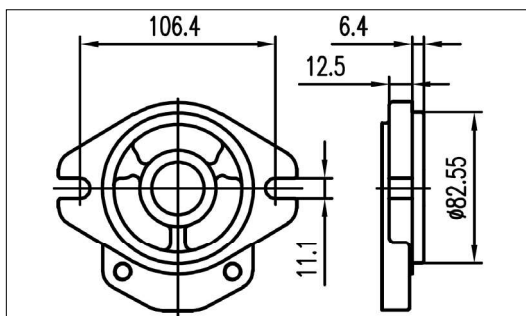
**4**



**9**

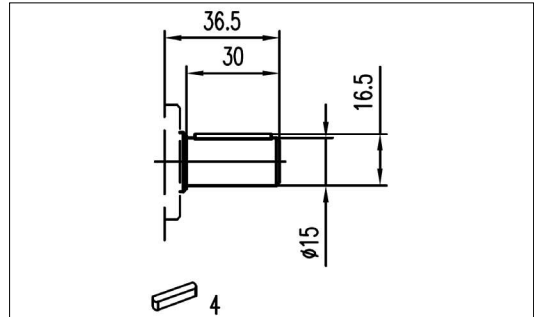


**10**



**2**

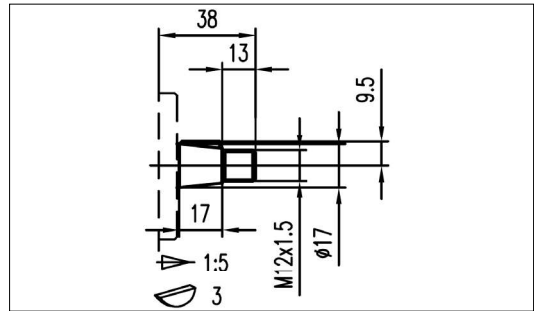
**SHAFTS**



**9**

Max. Torque

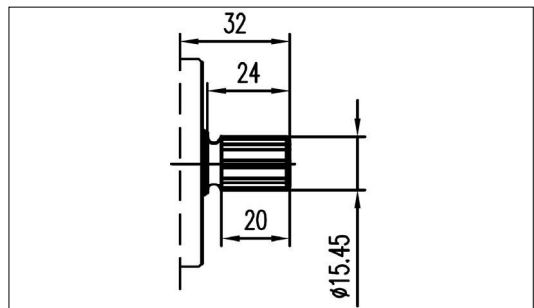
135 Nm



**8**

Max. Torque

180 Nm



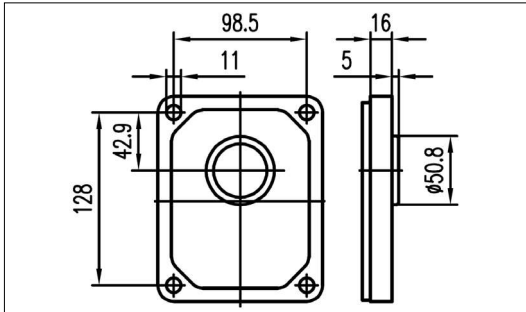
**11**

Max. Torque

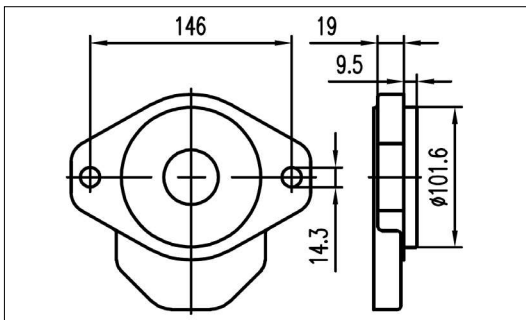
185 Nm



**FRONT COVERS**

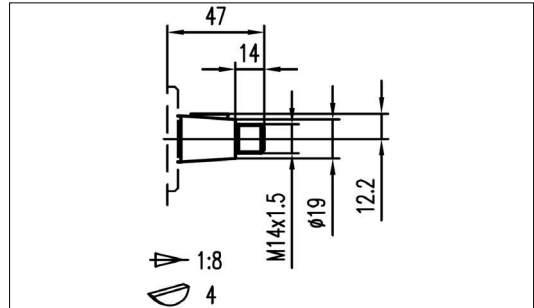


**5**



**7**

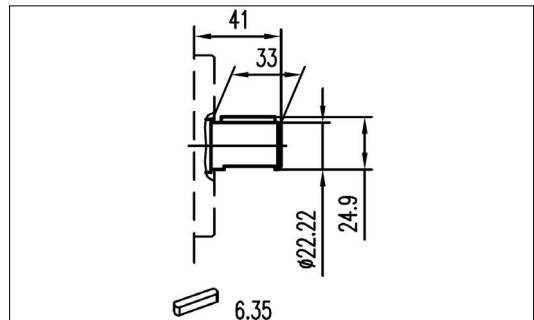
**SHAFTS**



**2**

Max. Torque

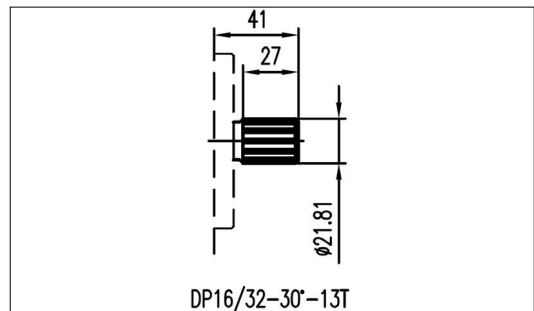
300 Nm



**14**

Max. Torque

400 Nm



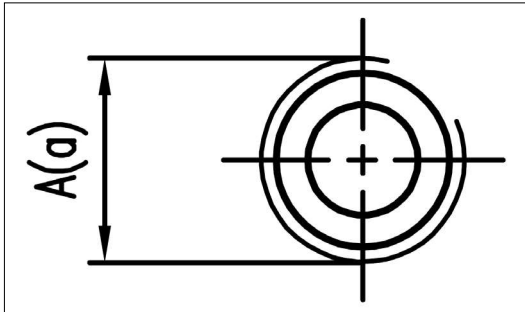
**15**

Max. Torque

500 Nm

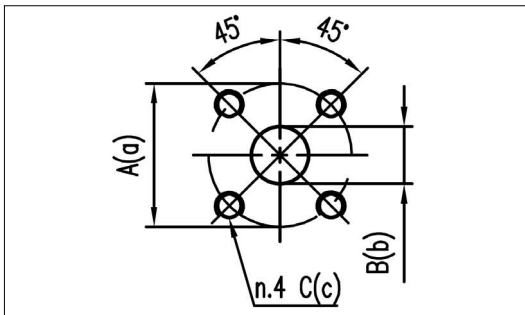


**PORTS**



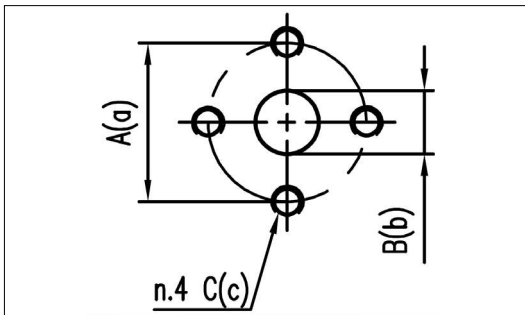
**3838**

| INLET | OUTLET |
|-------|--------|
| A     | a      |
| G3/8  | G3/8   |



**3030**

| INLET |    |    | OUTLET |    |    |
|-------|----|----|--------|----|----|
| A     | B  | C  | a      | b  | c  |
| 30    | 12 | M6 | 30     | 12 | M6 |



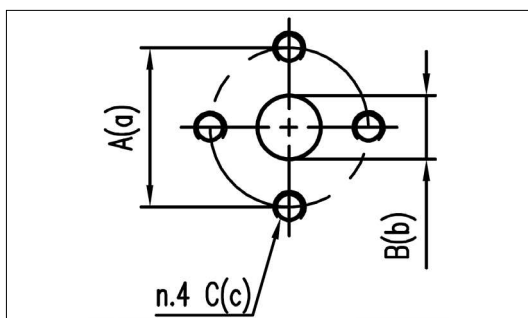
**3030R**

| INLET |    |    | OUTLET |    |    |
|-------|----|----|--------|----|----|
| A     | B  | C  | a      | b  | c  |
| 30    | 12 | M6 | 30     | 12 | M6 |

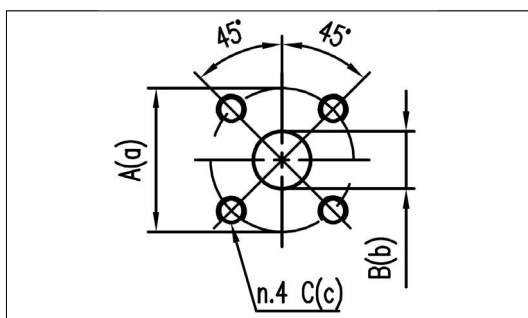




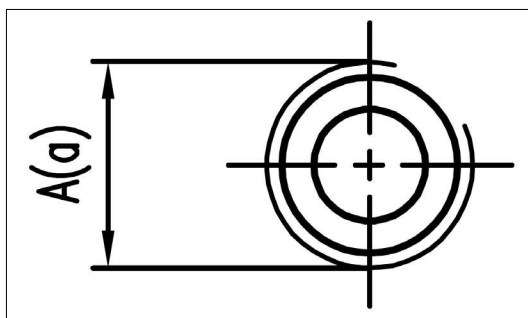
**PORTS**



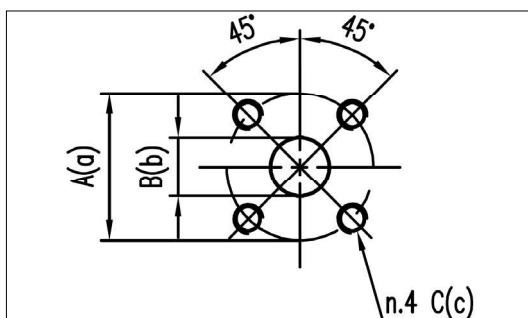
| PORTS CODE | INLET |    |    | OUTLET |    |    |
|------------|-------|----|----|--------|----|----|
|            | A     | B  | C  | a      | b  | c  |
| 3030       | 30    | 13 | M6 | 30     | 13 | M6 |
| 4030       | 40    | 20 | M8 | 30     | 13 | M6 |
| 4040       | 40    | 21 | M8 | 40     | 19 | M8 |



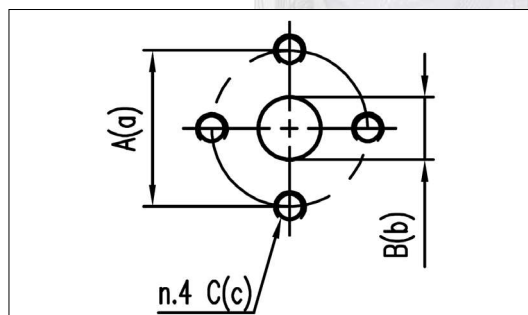
| PORTS CODE | INLET | OUTLET |
|------------|-------|--------|
|            | A     | a      |
| 1238       | G1/2  | G3/8   |
| 3412       | G3/4  | G1/2   |
| 1034       | G1    | G3/4   |



| PORTS CODE | INLET  | OUTLET |
|------------|--------|--------|
|            | A      | a      |
| 10 34      | G1     | G3/4   |
| 114 10     | G1 1/4 | G1     |
| 112 114    | G1 1/2 | G1 1/4 |



| PORTS CODE | INLET |    |    | OUTLET |    |    |
|------------|-------|----|----|--------|----|----|
|            | A     | B  | C  | a      | b  | c  |
| 4035       | 40    | 20 | M6 | 35     | 15 | M6 |



| PORTS CODE | INLET |    |     | OUTLET |    |     |
|------------|-------|----|-----|--------|----|-----|
|            | A     | B  | C   | a      | b  | c   |
| 51 40      | 51    | 25 | M10 | 40     | 18 | M8  |
| 62 51      | 62    | 33 | M10 | 51     | 27 | M10 |
| 62 62      | 62    | 33 | M10 | 62     | 33 | M10 |



## ASSEMBLED PUMP

| Multiple pump | Group | Size | Shaft * | Flange * | Inlet port * | Outlet port * | Rotation | Standard Version |
|---------------|-------|------|---------|----------|--------------|---------------|----------|------------------|
|---------------|-------|------|---------|----------|--------------|---------------|----------|------------------|

|       |   |     |    |    |
|-------|---|-----|----|----|
| VNKBM | 3 |     | 25 |    |
|       | 2 |     | 30 |    |
|       | 1 | 1.1 | 6  | 33 |
|       |   | 1.3 | 8  | 39 |
|       |   | 1.6 | 10 | 46 |
|       |   | 1.8 | 12 | 50 |
|       |   | 2.1 | 14 | 55 |
|       |   | 2.7 | 16 | 63 |
|       |   | 3.2 | 18 | 70 |
|       |   | 3.7 | 20 | 80 |
|       |   | 4.2 | 23 | 90 |
|       |   | 5   | 25 |    |
|       |   | 5.8 | 30 |    |
|       |   | 7   |    |    |
|       |   | 8   |    |    |

\* see specifications of shafts, flanges and ports in pages 42, 43, 44, 45, 46.

|   |                   |   |
|---|-------------------|---|
| C | Clockwise         | S |
| A | Counter clockwise | H |
|   |                   | J |
|   |                   | W |
|   |                   | R |

### EXAMPLE

Multiple pump with driver pump G3 50cc cover flange cylindrical shaft Ø22, FLANGED PORTS, intermediate pump G2 16cc flanged port and final pump G1 4cc with thread ports, clock wise rotation two inlet and two outlet.

**VNKBM-3-2-1-50-16-4-14-7-51-40-40-30-38-38-C-S**

